

ALPHA

SSL-53/56/59

3000LM/6000LM/9000LM

Powerful Function Since Alpha Solar Street Light



SSL-53
3000LM

SSL-56
6000LM

SSL-59
9000LM



Solar



ALS



BMS



IP65



TCS



Ray Sensor



55°C
-10°C
Charging
temperature



80°C
-20°C
Working
temperature



Warranty

SOLAR STREET LIGHT

LED Screen

All functions are displayed with visual icons.

100% Remaining battery capacity

M 3 Mode

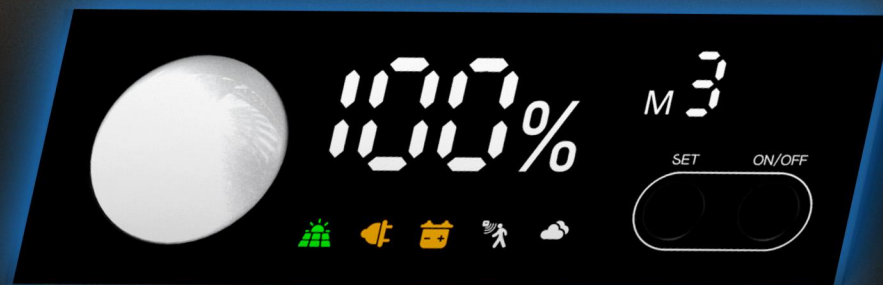
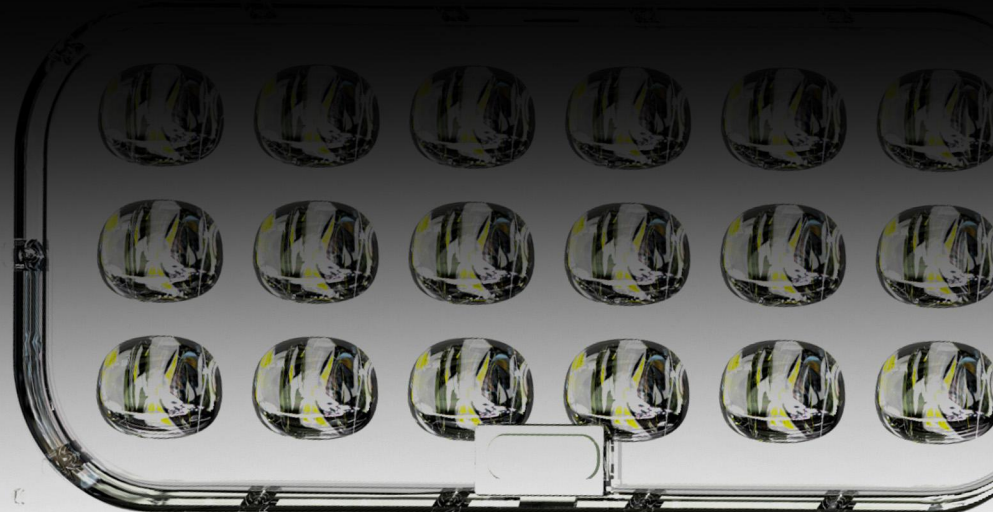
 Solar

 Adaptor

 Back-up batteries

 PIR

 Rain sensor



Dual CCT, switchable by Rain Sensor

White LED color in normal weather and switch to warm led automatically when detect rainy days, to improve visibility .



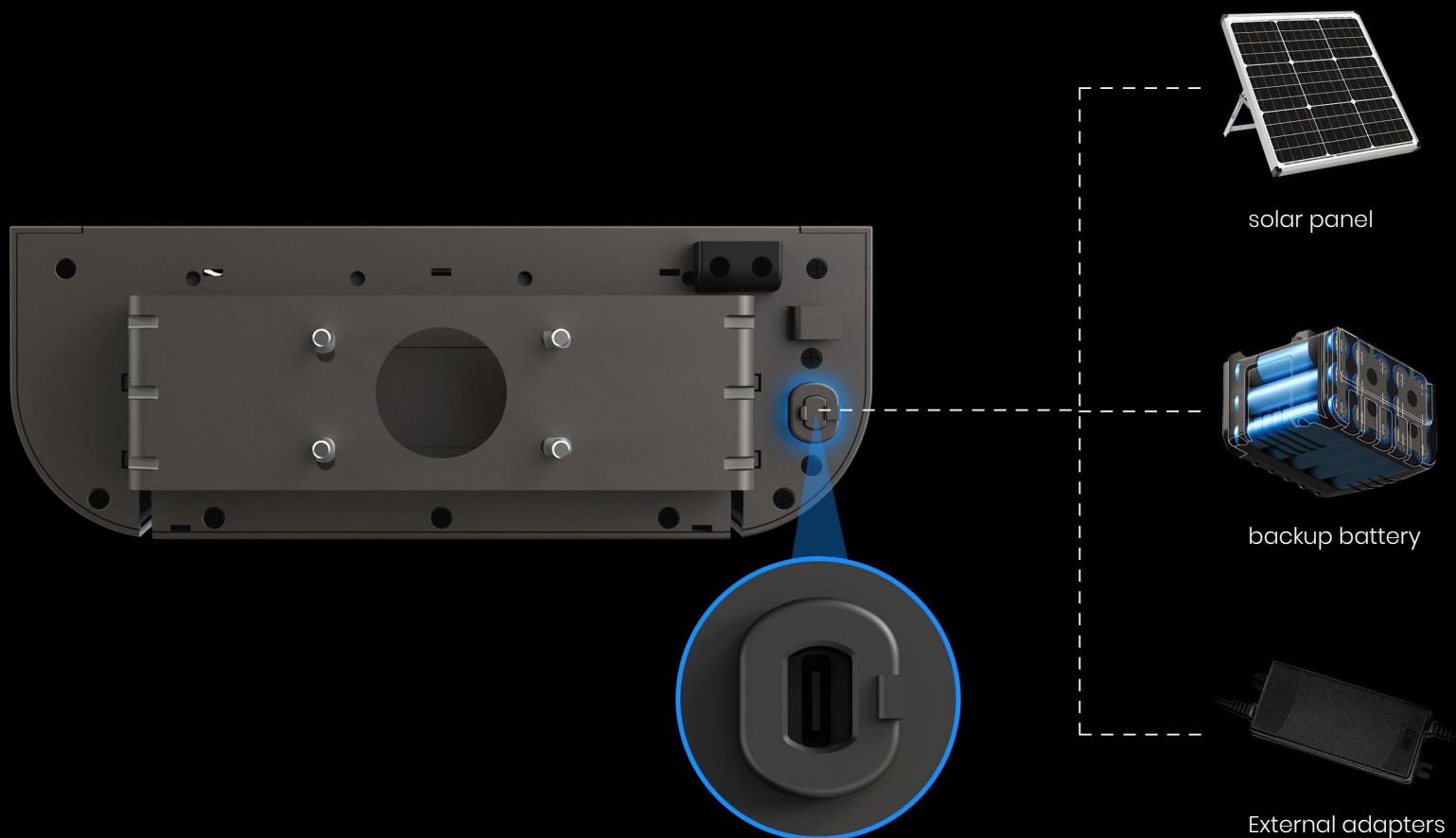
No rain



Rain

Extension Port

Support expansion parts: solar panel, backup battery, external adapters.
Provide multiple solutions for different requirements.



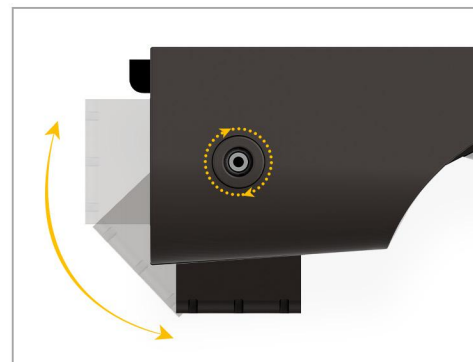
Multi-function remote control

Lighting modes, CCT, brightness, and PIR on/off are all can be adjusted-- enabling personalized settings for clients.

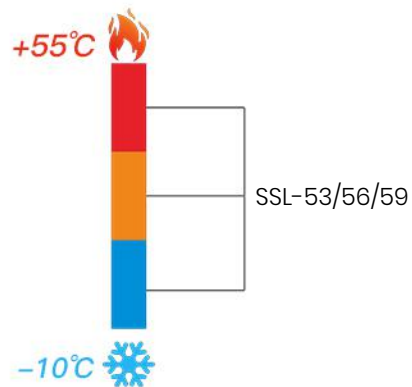


Multiple installation methods

Can be installed horizontally and vertically. As well as wall mounted.

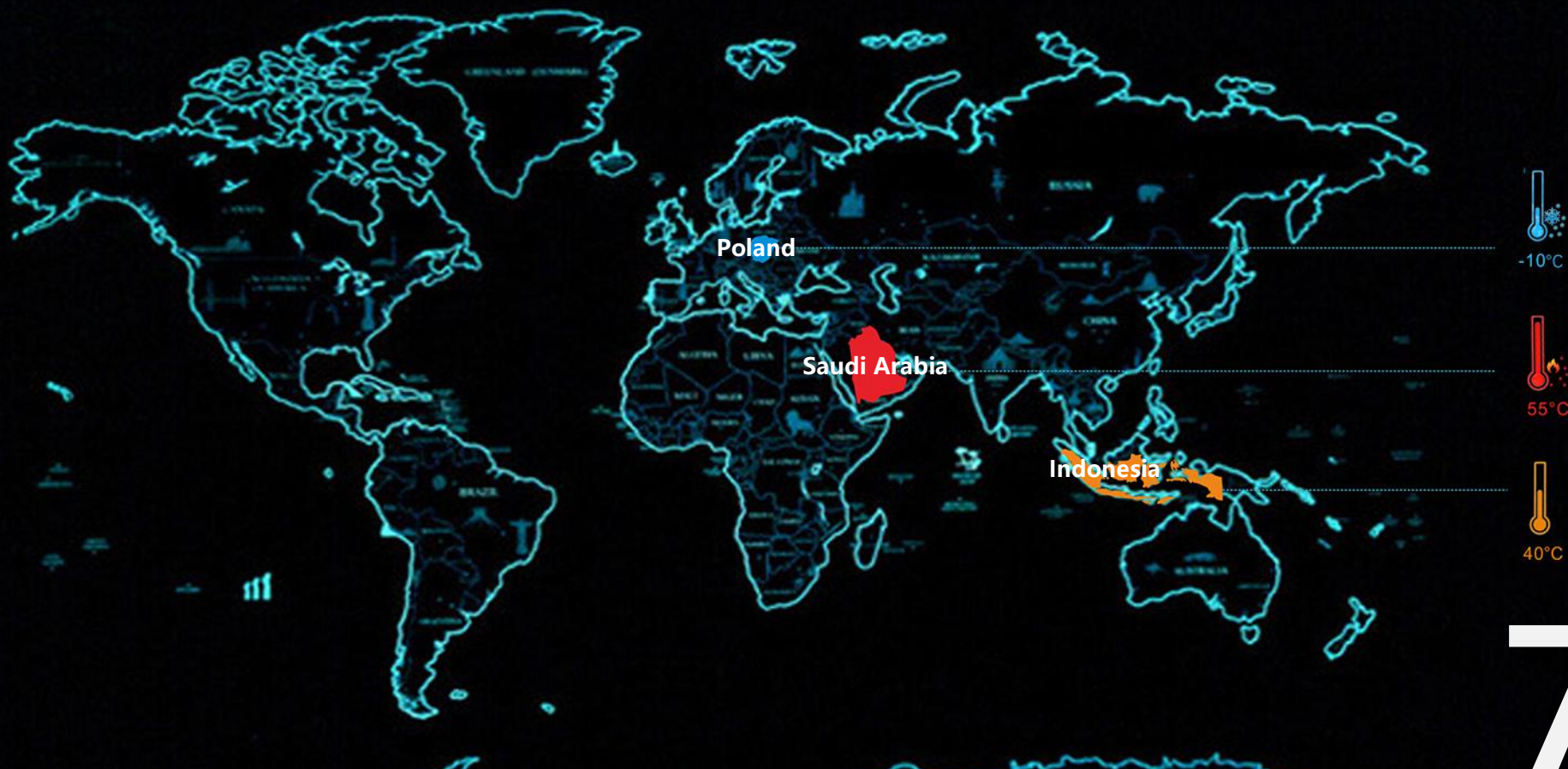


Angle can be adjusted



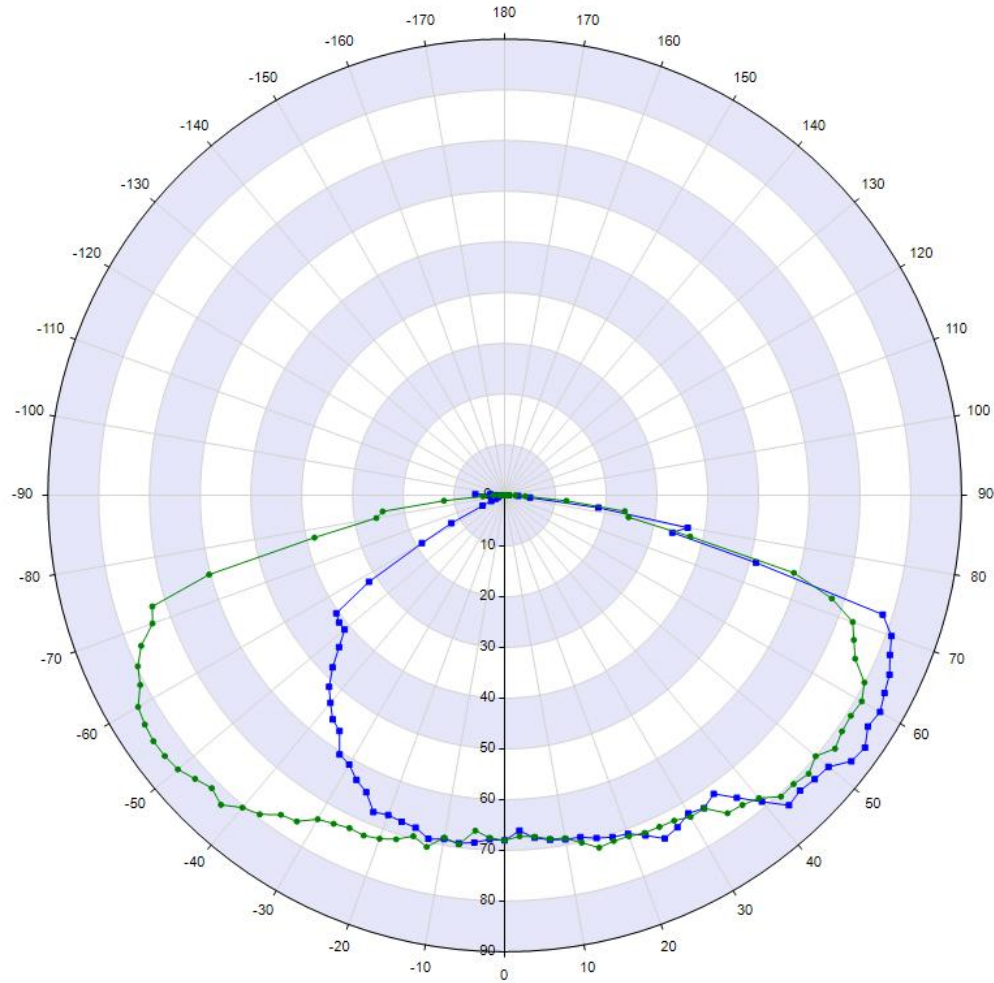
-10°C to +55°C

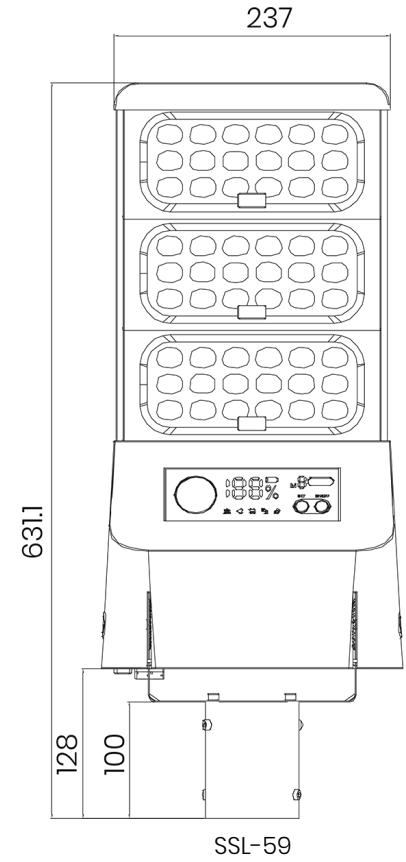
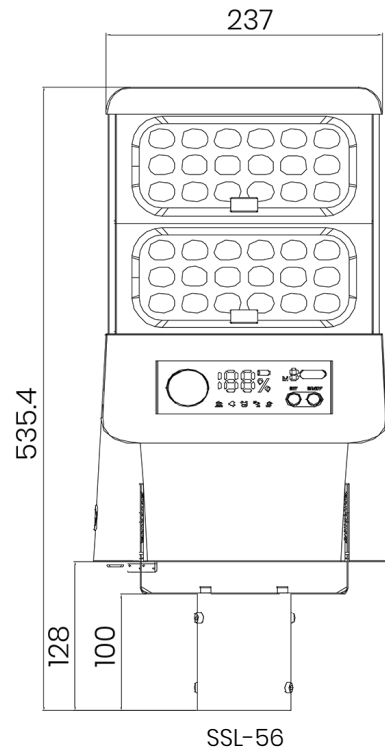
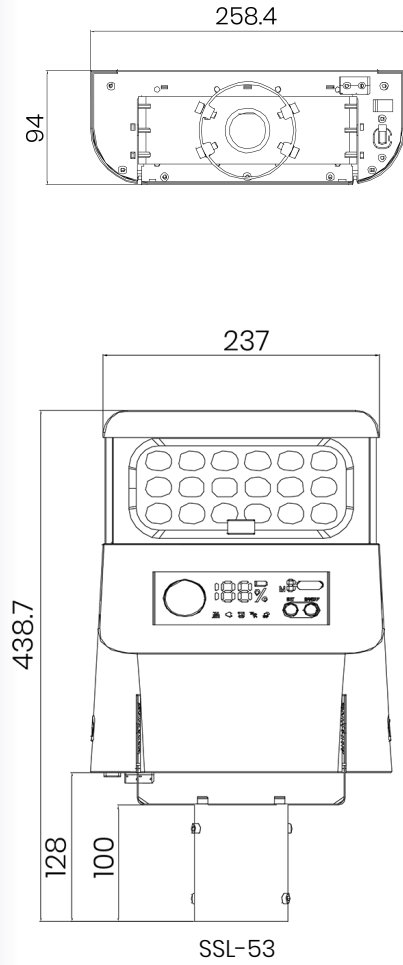
Can be used in regions ranging from -10°C to +55°C without any concerns, spanning from Eastern Europe to the Middle East and equatorial countries



Item: ALPHA	SSL-53	SSL-56	SSL-59
Light Brightness	3000LM	6000LM	9000LM
Solar panel			
Power	Monocrystalline silicon, 8.8V/10W	Monocrystalline silicon, 13.2V/16W	Monocrystalline silicon, 13.2V/20W
Li-ion battery			
Capacity	7.4V, 38.48Wh	11.1V, 86.58Wh	11.1V, 115.44WH
Charging / Discharging Temp	-10°C-55°C / -20°C-60°C		
Charging Time	Solar Panel ≤ 6.43H	Solar Panel ≤ 6.76H	Solar Panel ≤ 6.86H
LED (OSRAM)	3030, 3000K 18pcs + 5700K 18pcs	3030, 3000K 72pcs + 5700K 72pcs	3030, 3000K 108pcs + 5700K 108pcs
Color Temp	3000K / 5700K, Ra70	3000K / 5700K, Ra70	3000K / 5700K, Ra70
Efficiency	230lm/W	230lm/W	230lm/W
Types of Lighting	TYPE-IV		
LED Screen Content			
Battery Capacity Percentage	Battery capacity displayed from 0 to 100%, after the screen light up for 30s		
External solar charging indicator	Plug in and showed		
External adapter charging indicato	Plug in and showed		
External backup battery charging indicator	Plug in and showed		
PIR ON/OFF status	YES		
Raining sensor display	YES		
Low battery display	Low battery icon will illuminate when the battery capacity drops below 20%		
Lighting mode display	Always show the lighting mode (but will not display when screen off)		
Performance			
Lighting Time in Rainy day	>36H		
Control Mode	Button Switch, ON/OFF Long Press 1.5s		
Lighting Mode	M1: 30% (PIR 30S) Till dawn M2: 30% (PIR 30S) 5H + 20% (PIR 30S) Till dawn M3: 30% (PIR 30S) 6H + 10% 5H + 30% (PIR 30S) Till dawn		
Core technology	ALS2.4		
External device identification	Identify external device connection automatically: solar panels, adapters, backup batteries		
PIR	120°, 8m.Max		
IP / IK Class	IP65 / IK08		
Install Height / Distance	3m / 8m	4m / 12m	5m / 14m
Net Weight	2.25kg	2.94kg	3.37kg
Material	Aluminum+PC		
Dimension	438*258*94mm	535*258*94mm	631*258*94mm

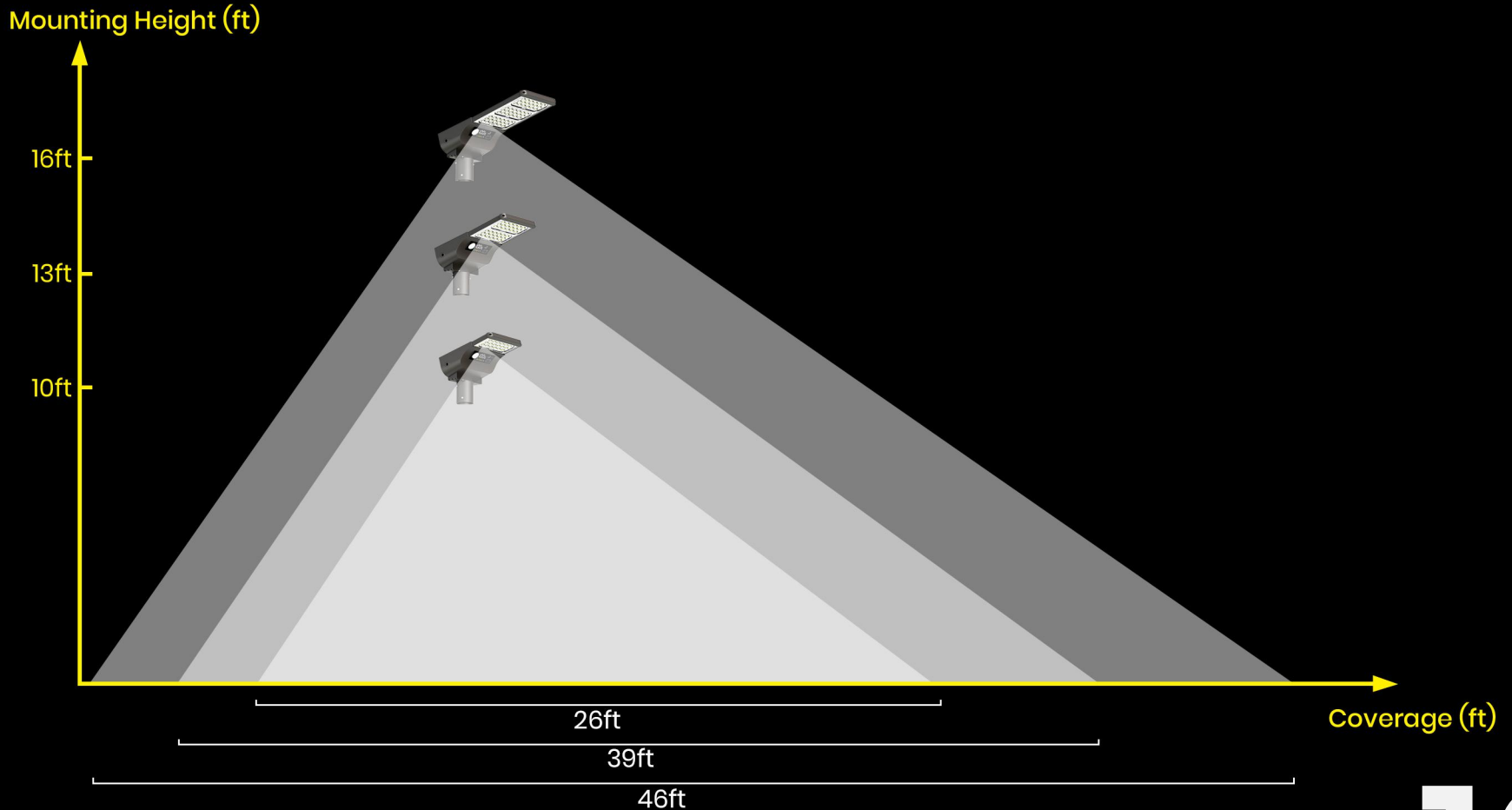
Type-4 lighting distribution



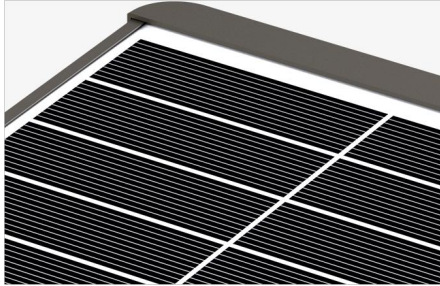




Suggested Mounting Height: From 10ft to 16ft
Actual lighting coverage may varies by mounting height & angle



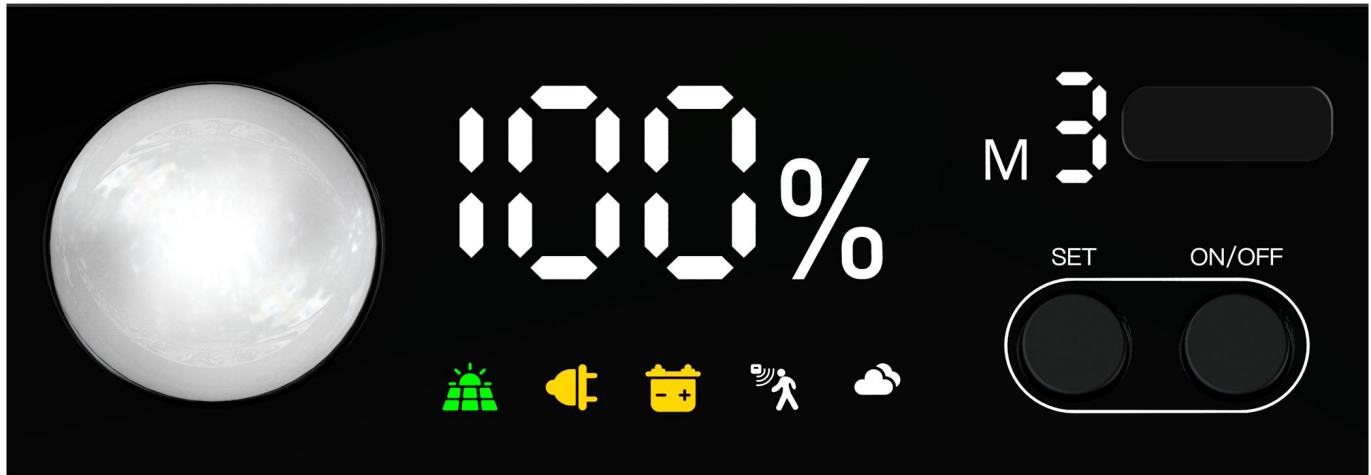
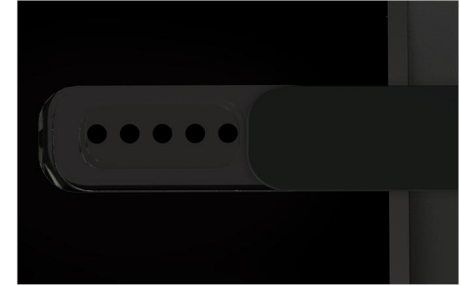
Monocrystalline silicon
Solar Charging Efficiency: >23%



High Lumen LEDs 230lm/W



Program Writer Port



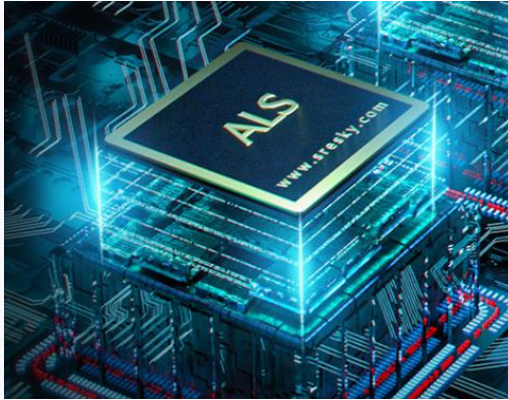
Extension Port



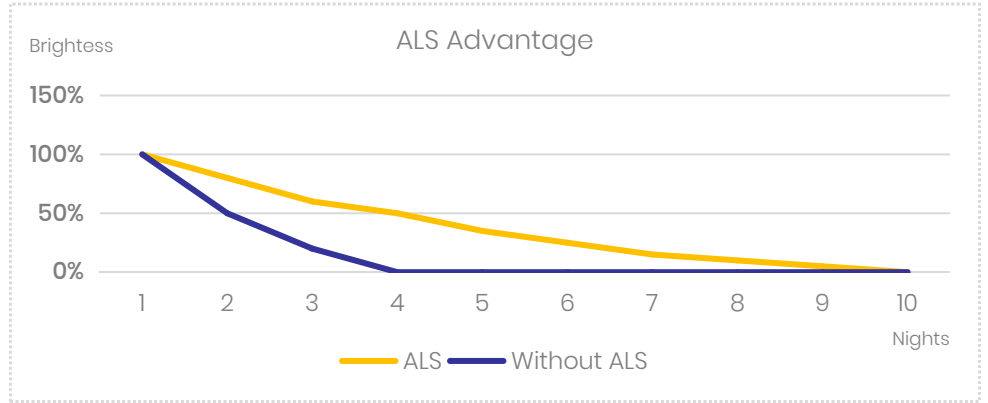
Rain sensor



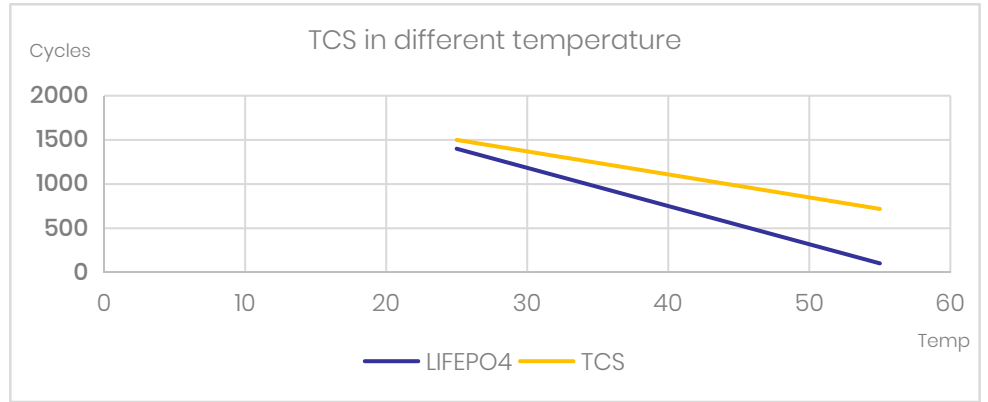
Adjustable Angle Bracket



ADVANTAGE OF ALS



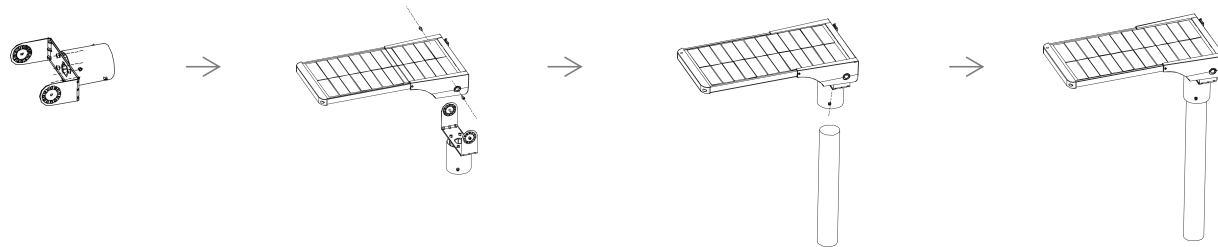
ADVANTAGE OF TCS



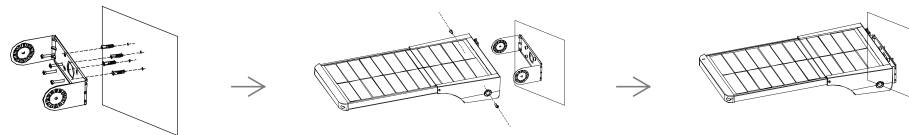
1 Horizontal pole mounting



2 Vertical pole mounting



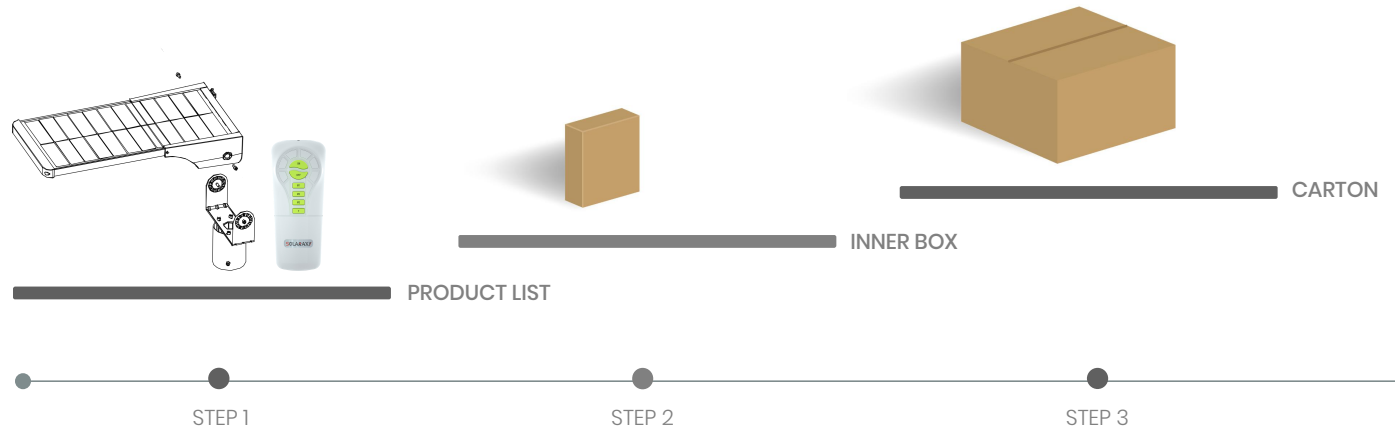
3 Wall mounting



PRODUCT LIST
 SOLAR LIGHT: 1 PC
 BRACKET: 1 PC
 REMOTE CONTROL: 1 PC

1 PC / 1 BOX

SSL-53: 8 PCS / CARTON
 SSL-56: 6 PCS / CARTON
 SSL-59: 5 PCS / CARTON



MODEL NO.	PACKING METHOD	PCS/CTN	QTY (PCS)	CTN QTY	CARTON SIZE(MM)	N.W.(KG)	G.W.(KG)
SSL-53	INNER BOX	1	1	1	262*113*332	/	/
	CARTON	8	8	1	544*472*352	/	/
SSL-56	INNER BOX	1	1	1	262*113*457	/	/
	CARTON	6	6	1	548*422*462	/	/
SSL-59	INNER BOX	1	1	1	262*113*552	/	/
	CARTON	5	5	1	690*284*558	/	/

Net weight and gross weight are for reference only





S O L A R / S T R E E T / L I G H T

INNOVATING THE FUTURE OF SOLAR