

SPECIFICATION Of 2000 Lumens

All In One Solar Plaza Light

1. Unique surface design
 2. ALS2.0 + VFT + TCS Technology for All Night Lighting even in Cloudy or Rainy Day
high & low temperature available
- Application : Pathway /Parking Lot /Garden /Sidewalk /Public square



SPECIFICATIONS

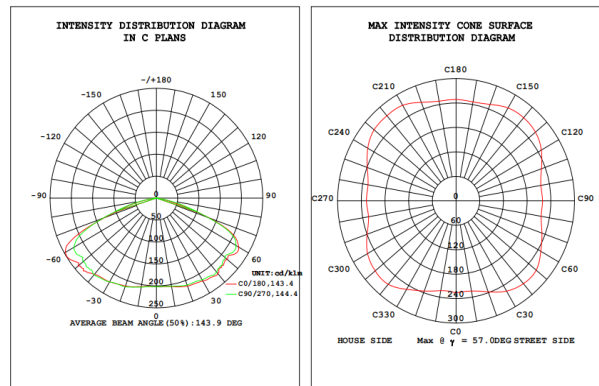
Model No.	SLL-09
Lumens	2000lm
LED quantity	48pcs
Power of solar panel	16.2W
Battery Spec	115.44WH
IP	65
IK	10
Charging time	10 hours
Lighting time	7-10 days
Discharging temperature	-20°C~65°C
Charging temperature	-20°C~65°C
Switch light sensor	≥50 Lux,off ≤10 Lux,on
Light modes	5 hrs 100% brightness + 25% till dawn
Beam angle	143.4°* 144.4°
Material	Aluminum alloy
Warranty	2 years

WORKING PROCESS

- 1, Power Lithium Battery: 1500 cycles life span
 - 2, Long Press: ON/OFF
 - 3, Lighting Mode: 5 hrs 100% brightness + 25% till dawn
-



RECOMMEND DATA



New technology:

ALS (adaptive lighting system): When meet bad weather lack of enough sun charge, the system will do smart timely calculation for the remaining battery capacity and give max output efficiency use to prolong Lighting time.

TCS (temperature control system) automatically

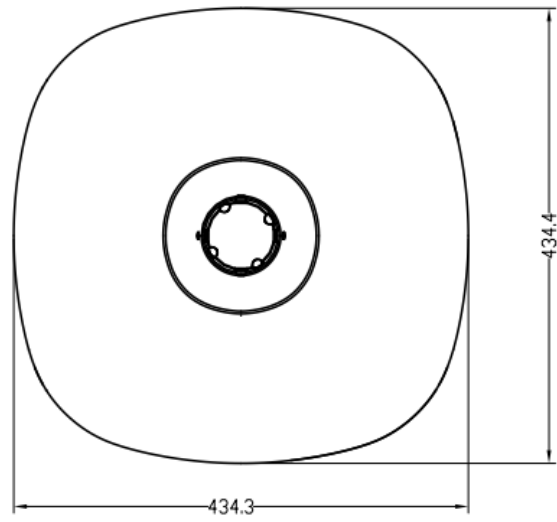
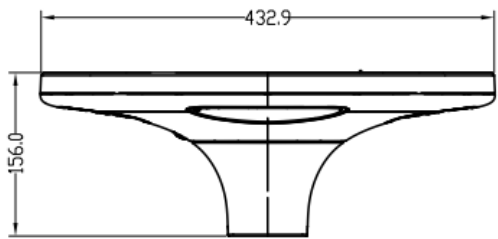
When temperature is over 65°C, it will cut off charging system to protect battery, when below 65°C, charging system will continue to work automatically - High temperature

When temperature is below 0°C, the battery will be heated for normally working. - Low temperature



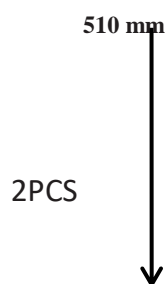
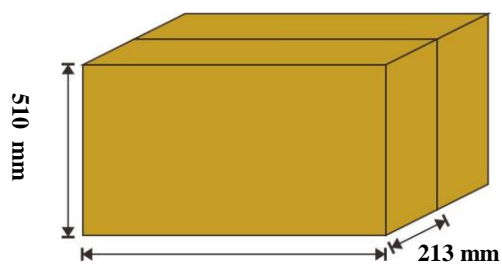
Pole diameter: 60mm

PRODUCT SIZE

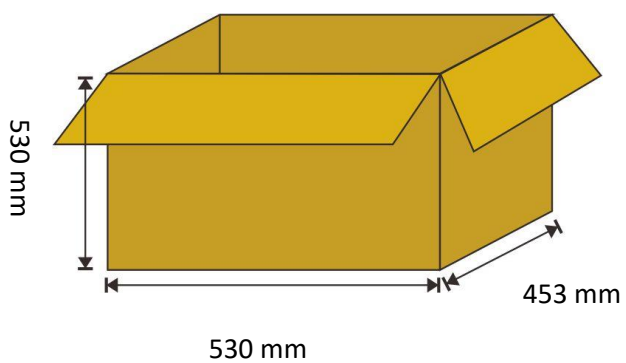


PRODUCT PACKAGING

LAMP



CARTON



Lamp Net Weight
4.3 KG