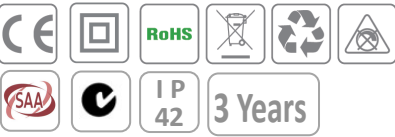


# GALAXY 40W





## ■ Matters needing attention

- Before installing the lighting fixtures, please read this instruction manual carefully.
- The lighting fixtures should be installed, connected and tested by a certified electrician based on the local regulations.
- Lamps should always be installed or replaced with care.
- Please check the local voltage in accordance with the product requirements before using the Product.
- Installation only can be done when the power is off and the lamp is completely cooled down.
- When a lamp is to be cleaned, make the power off and let it cool down completely, clean the fixture with a soft cloth and a standard PH neutral detergent, stainless steel finishing should be maintained regularly.
- Don't cover the fixtures with flammable materials.
- Exclusively replaced by the manufacturer of his service agent or the similar qualified person in order to avoid a hazard.

## ■ S/N Rules

S/N:ABCDEF

1 2 3 4 5

EX:L3L H20601804

1 2 3 4 5

- 1 Model
- 2 PC Lens: H=120°
- 3 Power:20=20W 40=40W 60=60W 72=72W
- 4 Color Range:30=WW(3000K)40=NW(4000K)50=DW(5000K)  
60=CW(6000K)
- 5 Date:18=2018 Year 04= April

## ■ Temperature Characteristics T-ambient 25°C

Temperature

Operating -20~+40°C

Storage -40~+60°C

## ■ Electrical Characteristics

Input Voltage:AC200-240V 50/60Hz

PF>0.93 THD<18%

Power Efficiency  $\geq$  0.88



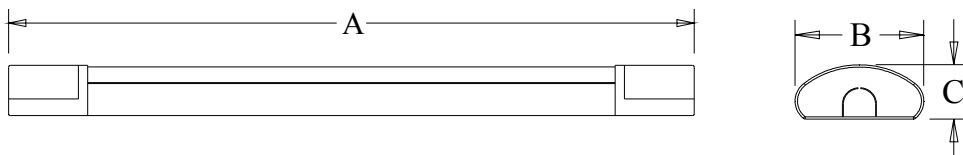
# 1.Features

- Convenient installation
- Patent and functional design with imaginative appearance
- Excellent heat dissipation depending on pure aluminum housing
- Widely use for ambient lighting application
- High-tech optical design
- 100,000 times switching cycle before failure

# 2.Application

COMMERCIAL LIGHTING	PUBLIC LIGHTING	INDUSTRIAL LIGHTING
Office	Airports	Manufacture
Meeting room	Sports	Warehouses
Hotel	Train stations	Exhibition centers
Hospital	Bus stations	Toll stations
Supermarkets	Theaters	Gymnasium
Shopping mall	MTR stations	etc
Large retailers	etc.	
Library		
School		
etc.		

# 3.Product Dimension



Model NO.	Size A(mm)	Size B(mm)	Size C(mm)
4ft/1200mm	1190	80	36

## 4.Parameter

Model NO.	Power (W)	Light Source	LED QTY (pcs)	CCT (K)	Lumens lm/w	CRI	Beam Angle
2ft/600mm	20±10%	2835	144	4000K	100/120	>80	120°
4ft/1200mm	40±10%	2835	288	4000K	100/120	>80	120°
5ft/1500mm	60±10%	2835	432	4000K	100/120	>80	120°
6ft/1800mm	72±10%	2835	576	4000K	100/120	>80	120°

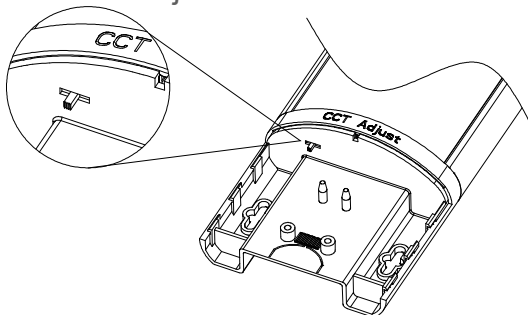
CCT Range WW(3000K) NW(4000K) DW(5000K) CW(6500K)  
PC Cover:120°

### ErP Technical Specification

Item	Symbol	specification/Data
Color Index	CRI	Ra>80,R9>0
Luminous Efficacy	lm/w	90-105lm/w, 110-125lm/w
Energy efficiency Class	/	A++
Color consistency in level	/	Max.6SDCM
THD	%	<18%
Starting Time	S	<0.5S
Switching cycle before failure	/	>100,000times
Premature failure rate@1000h	/	0

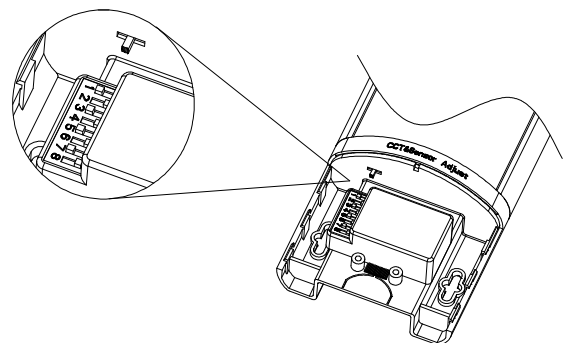
## 5. Description of different function settings

### 1. Color Adjust



- \* Open the end cap with CCT Adjust mark, then you can adjust color temperature by internal slide switch.
- \* Initial color temperature is NW.

### 2. CCT & Sensor Adjust

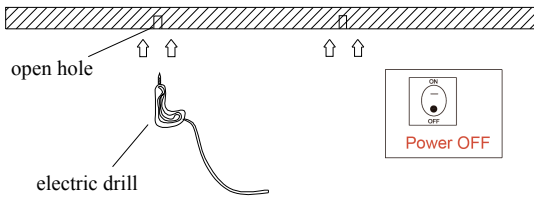


- \*Open the end cap with CCT& Sensor Adjust mark, then you can adjust color temperature by slide switch and set sensor parameter on inductor .

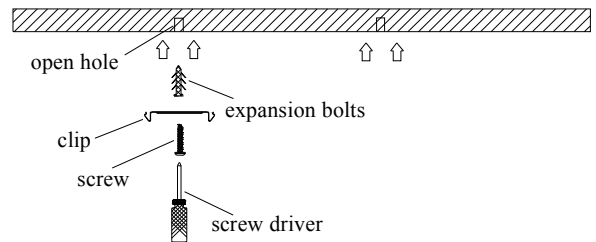


## 6. Installation

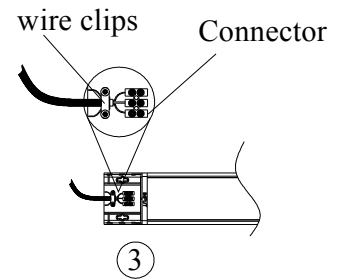
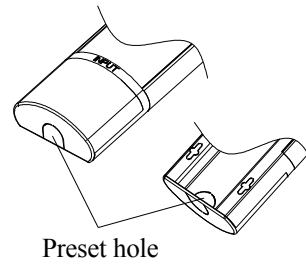
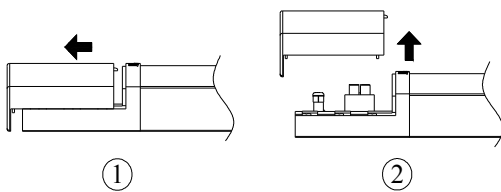
### 6.1 Surface mount install by clips



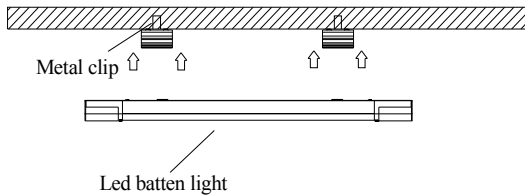
A. Make a right position for screw hole



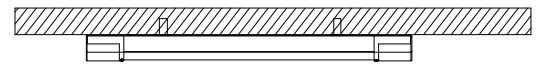
B. Fix the thread locker to the ceiling



C. Open the end cap with INPUT mark according picture 1& picture 2, then open the corresponding preset line hole according to the input cord location, finally connect the cord according picture 3, and fix the cord clip.

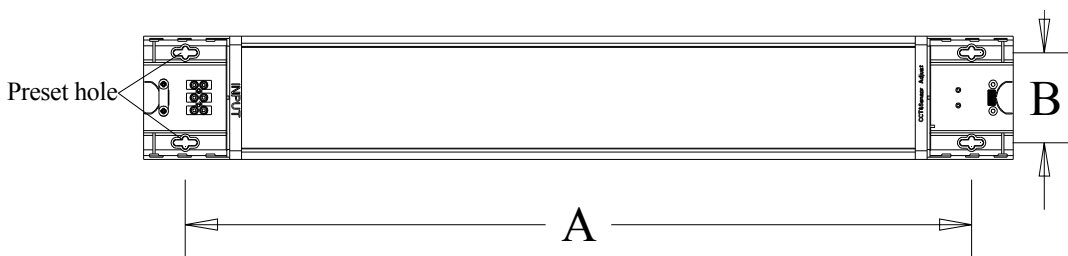


D. Follow the reverse operation of picture 1 and picture 2 of step C, assemble the end cover and fix lamp on ceiling.



E. Adjust the position of the fixture

### 6.2 Surface mount install by clips



\* Screw hole spacing

	2ft	4ft	5ft	6ft
A	53cm	113cm	143cm	173cm
B	5.8cm	5.8cm	5.8cm	5.8cm

\* There is two screw install hole on end cap, open the hole, then fix lamp on ceiling or metope by screw.

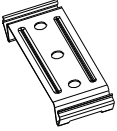
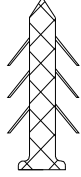
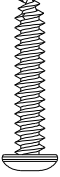
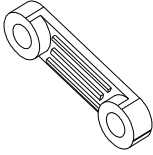
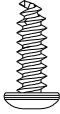
\*The connect cord way is the same of screw install and clip Install.

\*Put the wires to the safe place and check all installation process, install finished

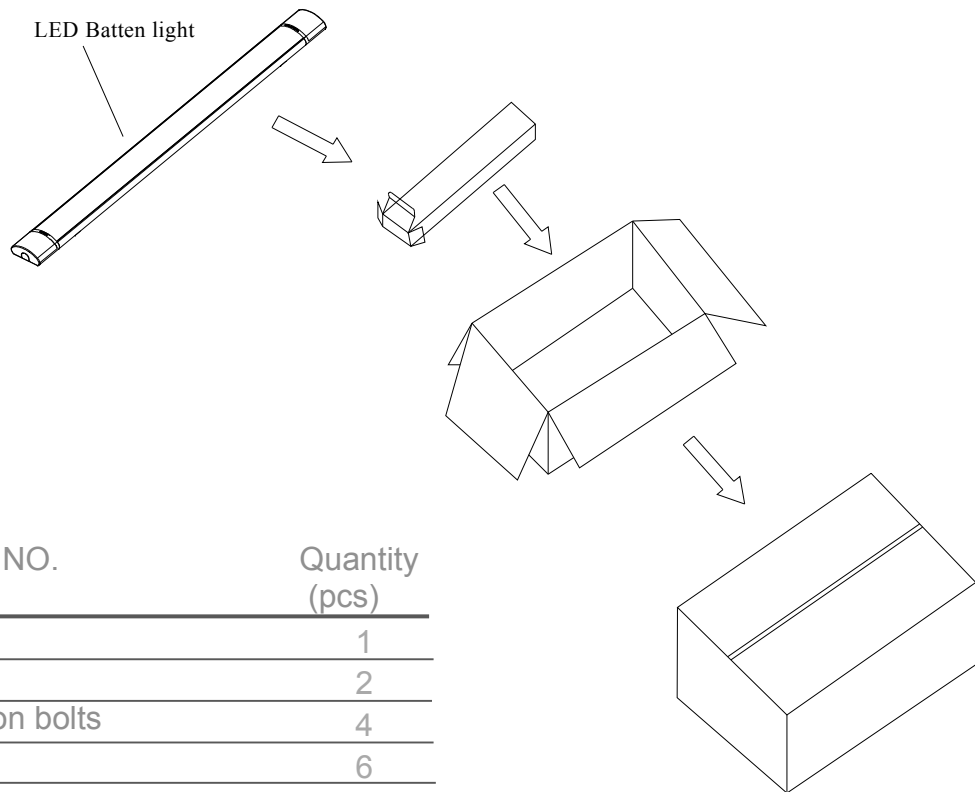


■ Caution: The product is not suitable for any oil pollution ambient or related applications.

■ List of accessories

				
Clip 2pcs	Expansion bolts 4pcs	Screw 4pcs	wire clips 1pcs	Screw 2pcs

## 6.Packaging



### A.Pack list

Sequence Number	Model NO.	Quantity (pcs)
1	light	1
2	Clip	2
3	Expansion bolts	4
4	Screw	6
5	Manual	1
6	Wire clips	1



## B.Packing Data

Model No	Single Box	Pcs/CTN	N.W./pcs (kg)	G.w./CTN (kg)	Meas (mm)
4ft/1200mm	1	20	0.88	18.49	1240*360*215

## 7.Attention

This specification is for reference only,we reserve the right to change without notice.If you need the updated info,please contact local distributors or visit our website at <http://www.sl-light.com>